

... enostavno varna montaža  
... just safely installed

**multitubo**  
systems



**Sistem za spajanje  
večplastnih cevi**  
*Multi-layer pipe system*



**Sanitarne inštalacije**  
*Tap water installation*

**Radiatorski razvodi**  
*Radiator connection*

**Ploskovno ogrevanje**  
*Panel heating*



Prvi evropski sistem za spajanje večplastnih  
cevi s CE-certifikatom po EOTA  
Europe's first EOTA-CE-certified multilayer  
pipe system.



... enostavno varna montaža  
... just safely installed

## ... enostavno super ta cev ... just great, that pipe

Večplastna cev MULTITUBO sistema ponuja vse prednosti moderne inštalacijske tehnike

### Visoko kvalitetni materiali

Izbrane surovine in dolgoletne izkušnje v proizvodnji garantirajo za visoko kvaliteto tehnično izpopolnjenega produkta. Cev nudi, pri  $t_{max}$  95 °C in  $p_{max}$  10 bar (pri 70°C), visoko vzdržljivost za vsakodnevno uporabo.

### Enostavno upogibanje

Standardne dimenzije do premera 25 mm se enostavno upogibajo brez kakršnega orodja. Pri majhnih zavojih skrbi za pravilne radiuse vzmet za upogibanje.

### Prednosti kot kovinske cevi

- popolnoma neprepustnost kisika in drugih plinov
- zavarjena aluminijasta cev
- cev pri upogibanju obdrži obliko
- majhna raztezanja pri segrevanju

### Prednosti kot plastične cevi

- gladke notranje površine katere ne dopuščajo prijema raznih nečistoč
- brez možnosti korozije zaradi visoke kemične obstojnosti
- zelo lahka

The multi-layer pipe of the MULTITUBO system offers all advantages for the modern installation:

### Highest material safety

Selected raw materials and a long experience in production guarantee the high quality of a technically perfected product. The pipe offers a high loading capacity at  $t_{max}$  95 °C and  $p_{max}$  10 bar (at 70°C) for the daily use.

### Simple bendability

The standard diameters up to 25 mm can be easily bent without any tools. The bending spring provides exact roundings at narrow bend radii.

### Get the advantages of metal pipes

- Absolutely diffusion tight by welded aluminum pipe
- High formstability with no spring back forces
- Low heat expansion

### Get the advantages of plastic pipes

- Smooth inner layer prevents from accumulations
- Corrosion resistant because of high chemical resistance
- Low weight

75 x 7,5 mm

63 x 6 mm

50 x 4,5 mm

40 x 4 mm

32 x 3 mm

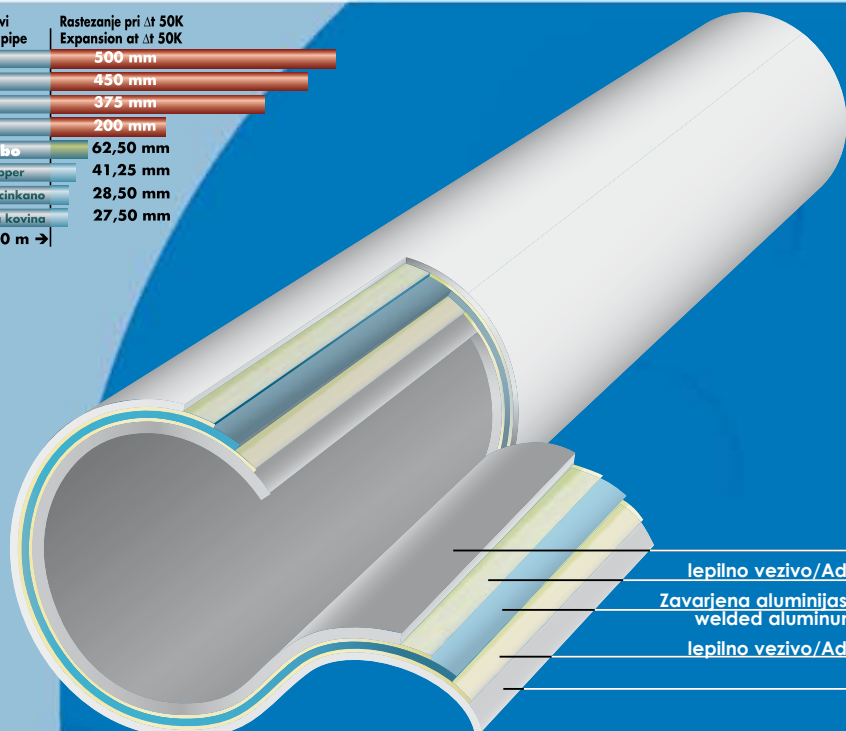
25 x 2,5 mm

20 x 2,25 mm

16 x 2 mm

Dolžina cevi Length of pipe	Rastezanje pri $\Delta T$ 50K Expansion at $\Delta T$ 50K
PEX	500 mm
PP	450 mm
PB	375 mm
PVC	200 mm
Multitubo	62,50 mm
Baker/Copper	41,25 mm
Železo pocinkano	28,50 mm
Nerjavna kovina	27,50 mm

50 m →



PE-RT

lepilno vezivo/Adhesive

Zavarjena aluminijasta cev  
welded aluminum pipe

lepilno vezivo/Adhesive

PE-RT

# ... enostavno varna tehnika spajanja

## ... just safe, the connection technique

Fittings with distinctive features:

### Osnovni element

Po novem tehničnem postopku pocinkan mesing.

### Profil

Profil je usklajen s tesnili in dobro prenaša vsakodnevne obremenitve obratovanja. Različno oblikovane obremenitvene cone se ena z drugo izpopolnjujejo v siguren ter močan spoj.

### Tulec

Obremenitveni kovinski tulec za trajno pritrdjevanje cevi na telo fittinga. Oblika tulca z obojestranskimi vodili za stiskalne čeljusti olajšajo varno stiskanje tudi v slabo dostopnih mestih montaže. Tulec ja že pritrjen ter zanesljivo ščiti profil in tesnila do vgradnje.

### Kontrolno okence

Kontrolno okence omogoča stalen pogled pravilnega naleganja fittinga na cev.

### Zanesljiva tlačna varnost

Le-ta vam pri tlačni probi sistema, z iztekanjem vode, pokaže nestisnjene spoje.

Fittings with distinctive features:

### The basic body

Tin-plated brass is state-of-the-art.

### The profile

The profile is co-ordinated with the plastic material and excellently compensates all forces of the daily operation. Here, differently arranged load zones complement to each other to build a safe power compound.

### The press-sleeve

Loadable metal sleeve for the durable fixation of the pipe in the fitting body. The shape of the sleeve with the double guide for the pressing jaws facilitates the safe pressing process even in installation positions difficult to access. The pre-mounted sleeve reliably protects the profile and the O-ring until the use of the fitting.

### The window

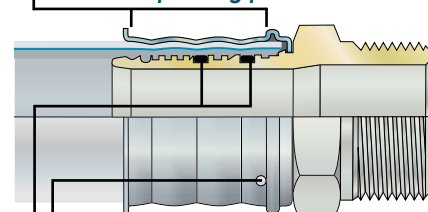
The window always guarantees the control over the correct position of the fitting on the pipe.

### Reliable test safety

The reliable test safety shows non-pressed connections already during the pressure test of the system.

### Zgradba fittinga/Fitting scheme

Tulec z obojestranskimi vodili skrbi za varno nastavitev stiskalnih čeljusti  
Pressing sleeve with double guide for a safe pressing process

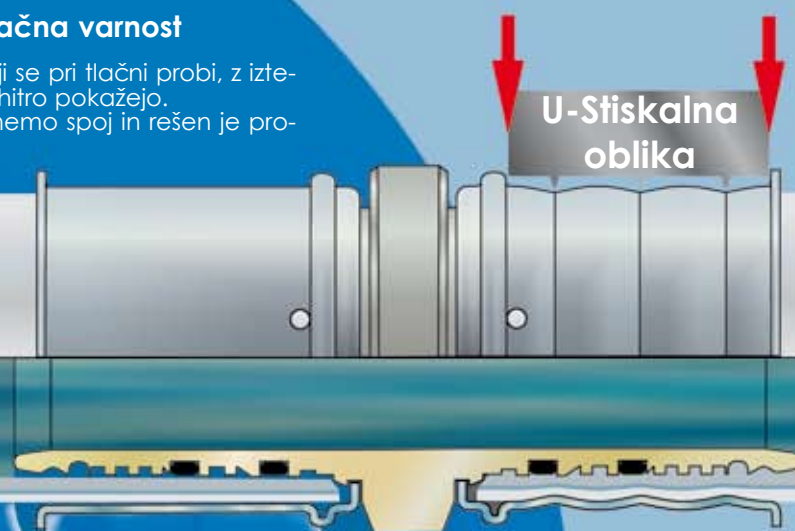


Kontrolno okence za pogled pravilnega naleganja cevi v fittingu  
Window for easy control of insertion depth of pipe

Trajno tesnenje spoja z dvema o-tesnili  
Permanent tight connection by 2 O-rings

### Zanesljiva tlačna varnost

Nestisnjeni spoji se pri tlačni probi, z iztekanjem vode, hitro pokažejo. Enostavno stisnemo spoj in rešen je problem!



### Dvostranska vodila stiskalnih čeljusti

Z dvostranskimi vodili na tulcu, nalegajo čeljusti vedno pravilno. Optimalna nastavitev je možna tudi pri težjih situacijah montaže.

### The reliable test safety

Connections not pressed are quickly recognized during the pressure test by water leakages. Simply press the connection in question and that's it!

### The double pressing jaw guide

With the double pressing jaw guide the pressing jaw is always in the correct position. The optimal position of the pressing jaw is guaranteed even in difficult installation situations.



## ... enostavno lahka montaža ... just easy, the installation

### MULTITUBO – vsestranski sistem – a versatile system

- ... Visoke obremenitve,  $t_{max}: 95^{\circ}C$ ,  
 $P_{max}: 10 \text{ bar}$  pri  $70^{\circ}C$
- ... High loadability,  $t_{max}: 95^{\circ}C$ ,  
 $P_{max}: 10 \text{ bar}$  at  $70^{\circ}C$
- ... Brez nastajanja korozije  
... No corrosion
- ... Ni oprijema nečistoč  
... No deposits
- ... Zelo lahka  
... Low weight
- ... Majhna raztezanja pri segrevanju  
... Low heat expansion
- ... popolnoma neprepustna za kisik  
... Absolutely oxygen tight
- ... Lahko rokovanje pri izvajanju  
... Easy handling
- ... Visoka varnost montaže  
zaradi obojestranskih vodil  
za varno naleganje  
stiskalnih čeljusti
- ... High installation safety  
through the press-sleeve`s  
double guides for the  
pressing jaws
- ... Specialna geometrija profila  
za varen in trajen spoj  
... Special profile geometry  
for safe and durable  
connections
- ... Zanesljiva tlačna varnost  
nestisnjene spoje se pri  
tlačni probi hitro opazi
- ... reliable test safety, connections  
not pressed are quickly  
recognized during the  
pressure test

Ena izmed prednosti MULTITUBO sistema je ta, da tehnika v izpopolnjenem produktu ne rabi posebnega in zapletenega rokovanja. Cevni sistem se enostavno prilagaja pogojem prostora čemu pripomore tudi plastičnost cevi, katere ostanejo po zvijanju v željeni obliki. Vzrok tega je varjena aluminijasta cev ki je med obema plastmi plastike.

A technique inherent to a perfected product does not need complicated handling. This is one of the advantages of the MULTITUBO system. The multi-layer pipe can be easily adjusted to the room condition and holds this shape, because the restoring forces are compensated by the welded aluminium layer which is embedded in the plastic layers.

Za izvedbo spoja se pravokotno odrezana cev posname ter natakne na fitting tako, da se pojavi v kontrolnem okencu. Nato enostavno nastavimo stiskalno orodje med obojestranskimi vodili na tulcu ter stisnemo.

In order to create a connection, the pipe is cut right angled and then bevelled and the fitting is put on until the pipe is visible in the window. Then put on the pressing tool and press between the two guides.

Zgradba cevi nam omogoča, da lahko brez kakršnega povratnega efekta skoraj vse dimenzije upogibamo z rokami

The most used dimensions can be easily bend by hand, without spring back effect, a consequence of the pipes construction.



... odrezati na dolžino,  
... cut to length,

... posneti,  
... bevel,

... in stisniti  
... and press



## ... enostavno rokovanje z orodjem ... just easy, the handling of the tools

Obdelovanje je enostavno in hitro z orodnimi nastavki MULTITUBO:

### Škarje in rezalec cevi

Za pravokotno rezanje potrebne dolžine cevi uporabljamo do premera 20mm škarje ali pa rezalec cevi do premera 75mm.

### Posnemalo

Ergonomično oblikovano posnemalo, s katerim obdelujemo zaključke cevi, se enkratno prilega roki.

### Vzmet za upogibanje

Z uporabo vzmeti dosežemo pravilne radiuse za priklpe na radiatorje ali v raznih kotih prostora.

### Stiskalno orodje

Z akomulatorskim stiskalnim orodjem lahko delamo hitro in neodvisno od električne napeljave.

### Stiskalne čeljusti z U-stiskalno obliko

Stiskanje se izvaja z zelo pogosto uporabljeno U-obliko stiskalnih čeljusti

### Ročno stiskalno orodje

Hitro in enostavno stiskanje dimenzij 16mm in 20mm.

V kolikor želimo zamenjat na ročnih kleščah dimenzije nastavkov, nam to delo olajša hitrozategovalni mehanizem.

*The installation is simple and fast using the MULTITUBO tool kit:*

### Pipe cutter and pipe cutting tool

*For the anglefair cutting of the necessary pipe length the pipe cutter is available up to diameter 20 mm, or the pipe cutting tool up to diameter 75 mm.*

### Bevelling tool

*Ergonomically formed, the bevelling tool is easy to use for canting off the chamfer.*

### Bending spring

*Using the bending spring accurate radii can be achieved for the connection of radiators or in corners.*

### Pressing tool

*The battery pressing tool enables a fast installation independent from the power supply system.*

### Pressing jaws with U-pressing contour

*The pressing process is carried out by means of pressing jaws with the common U-pressing contour*

### Manual pressing tool

*The quick and easy pressing process for dimensions 16 and 20 mm.*

*Manual pressing tool with quick action mechanism for the exchange of the pressing jaw inserts.*



... enostavno varna montaža  
... just safely installed

## ... enostavno in varno izvajanje ... just a safe work

### **MULTITUBO – moderen inštalacijski sistem za strokovnjake.**

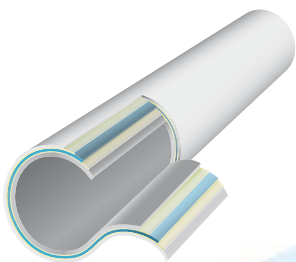
Delo za inštalaterje se je močno spremenilo. Vedno nove zahteve so vzrok po iskanju fleksibilnosti ter veliki vsestranskosti. Torej polaganje sanitarnih in ogrevalnih razvodov že zdavnaj ni več osnovno opravilo.

MULTITUBO je ta razvoj zavestno upošteval pri konceptu sistema. Tehnično dozorel proizvod, kateri se v praksi izkaže z lahkotno in varno izvedbo. Tako obdrži uporabnik pregled in se lahko osredotoči na pomembnejše stvari gradbišča: torej na želje strank

### **MULTITUBO – a modern installation system for the expert.**

The plumber's work has considerably changed. Constantly changing requirements demand high flexibility and high versatility. Here, the installation of the sanitary and heating conduit is not the actual core task anymore.

MULTITUBO deliberately included this development in the conception of the system: A technically perfected product, whose features in practice are the easy handling and the safe installation. Thus the user has the overall picture and can concentrate on the most important sectors of the construction site: the customers' wishes!



# ... enostavno dobra izkušnja

## ... just a good experience

### **MULTITUBO ni samo cevni sistem, za njim stoji ekipa z veliko vneme.**

Internacionalni strokovnjaki iz področja razvoja, proizvodnje in prodaje so združili moči in idejo spremenili v realnost.

Uspeh je dokaz za ekipo: učinkovitost sistema, zaradi njegove prijaznosti pri montaži, se je že zdavnaj potrdila v mnogih projektih: s fitting konceptom in množično profilno geometrijo, kakor tudi z zanesljivim preverjanjem sigurnosti spojev.

Ali z večplastno cevjo, katera nudi konstatno kvaliteto kot rezultat najnovejše tehnologije in visokokvalitetnih materialov.

**MULTITUBO is not only a pipe system, it is a highly motivated team as well.** Experienced managers from the fields of development, production and sales have met on an international level and have realized a new idea. Success proves that the committed team is right: The efficiency of the system has long been confirmed and in each project the system proves its user-friendliness in the installation: With the fitting concept, a sleeve technology with double pressing jaw guides, the tin-plated basic body, the sophisticated profile geometry and the reliable test safety. Or with the multi-layer pipe, which offers continuous quality as a result of high-quality materials and the most modern production engineering.

### **Garancija**

Vsi produkti kateri zapustijo našo hišo so najboljše kvalitete in imajo 10 letno garancijo. V primeru da se nekaj zalomi in ne gre kot bi moralo, smo vam na voljo z našim servisom, da skupaj na mestu odpravimo težavo.

### **Guarantee**

We guarantee that our products leave our warehouse in best quality. Through our guarantee, we keep our word for a period of 10 years. Nevertheless, should there be any cause for complaint, we are on-site with our service and will handle the settlement together with you.



---

**Z veseljem vam pomagamo / *Please ask us for more information:***